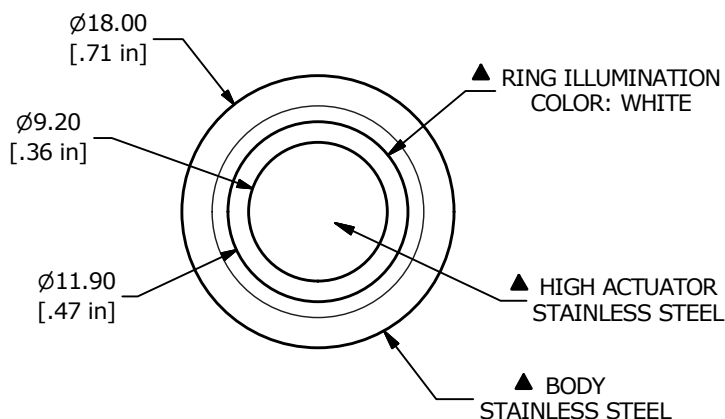
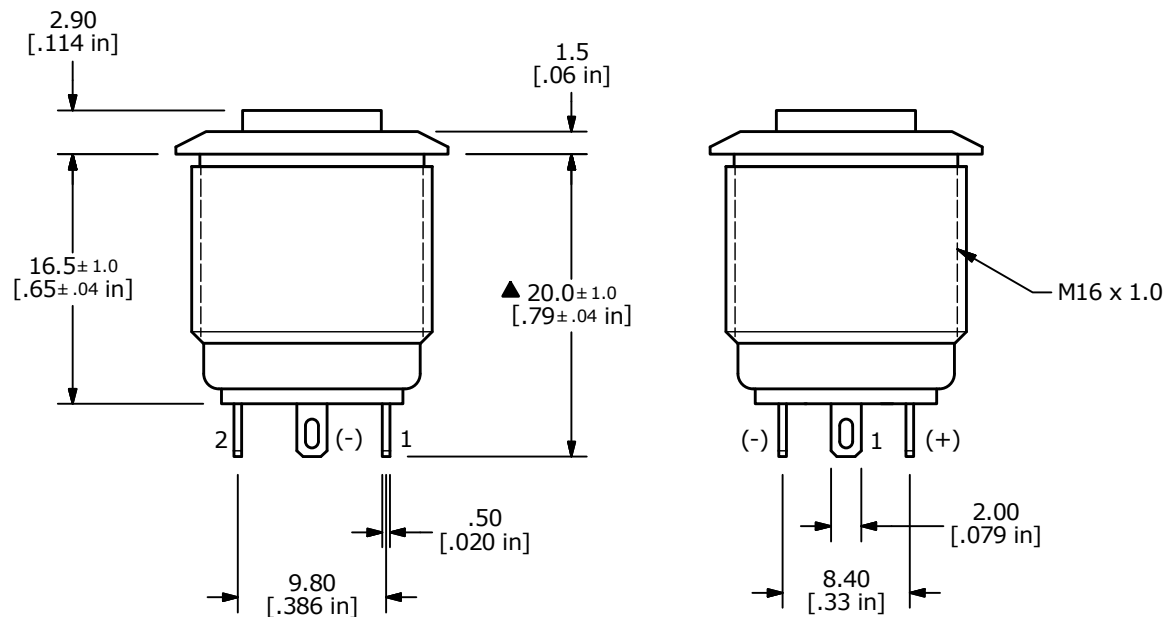
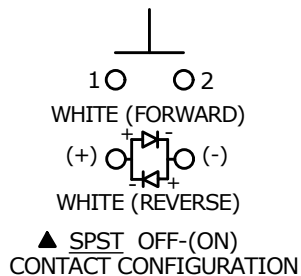


PANEL CUTOUT  
 MAX. PANEL THICKNESS  
 10.0mm [.315 in]



SWITCH FUNCTION	
POS. 1	POS. 2
OFF	(ON)
OPEN	1-2

(ON) = MOMENTARY



- NOTE:
- ALL DIMENSIONS IN MM [INCH]
  - GENERAL TOLERANCE: X.X = ±0.4  
 X.XX = ±0.25
  - TERMINAL NUMBERS FOR REF ONLY
  - CONTACT MATERIAL: SILVER
  - RATING: 2A 48VDC
  - ELECTRIC LIFE: 50,000 MAKE-AND-BREAK CYCLES AT FULL LOAD.
  - INSULATION RESISTANCE: 1,000MΩ MIN.
  - DIELECTRIC STRENGTH: 2,000VAC MIN. FOR 1 MINUTE
  - CONTACT RESISTANCE: 50mΩ MAX. @ 1A 12VDC
  - OPERATING TEMP.: -20°C to 55°C
  - TRAVEL: 1.8mm
  - ▲ DENOTES CRITICAL PARAMETER.
  - HARDWARE SUPPLIED: O-RING AND HEXNUT (NOT SHOWN)
  - ILLUMINATION VOLTAGE RATING: 2.8V (FORWARD), 2.8 (REVERSE)
  - 2011/65/EU (ROHS) COMPLIANT



A	23138	RELEASE FOR PRODUCTION	12/12/17	MW
REV	PCR NO	DESCRIPTION	DATE	BY

TITLE PV6H240SS-301				
SCALE	DATE	DR	DWG	REV
2:1	12/12/2017	MW	52-PV6H240SS301	A

THE INFORMATION CONTAINED IN THIS DOCUMENT IS PROPRIETARY  
 TO E-SWITCH AND IS NOT TO BE COPIED OR TRANSFERRED